

1

2

3

4

5

6

7

A

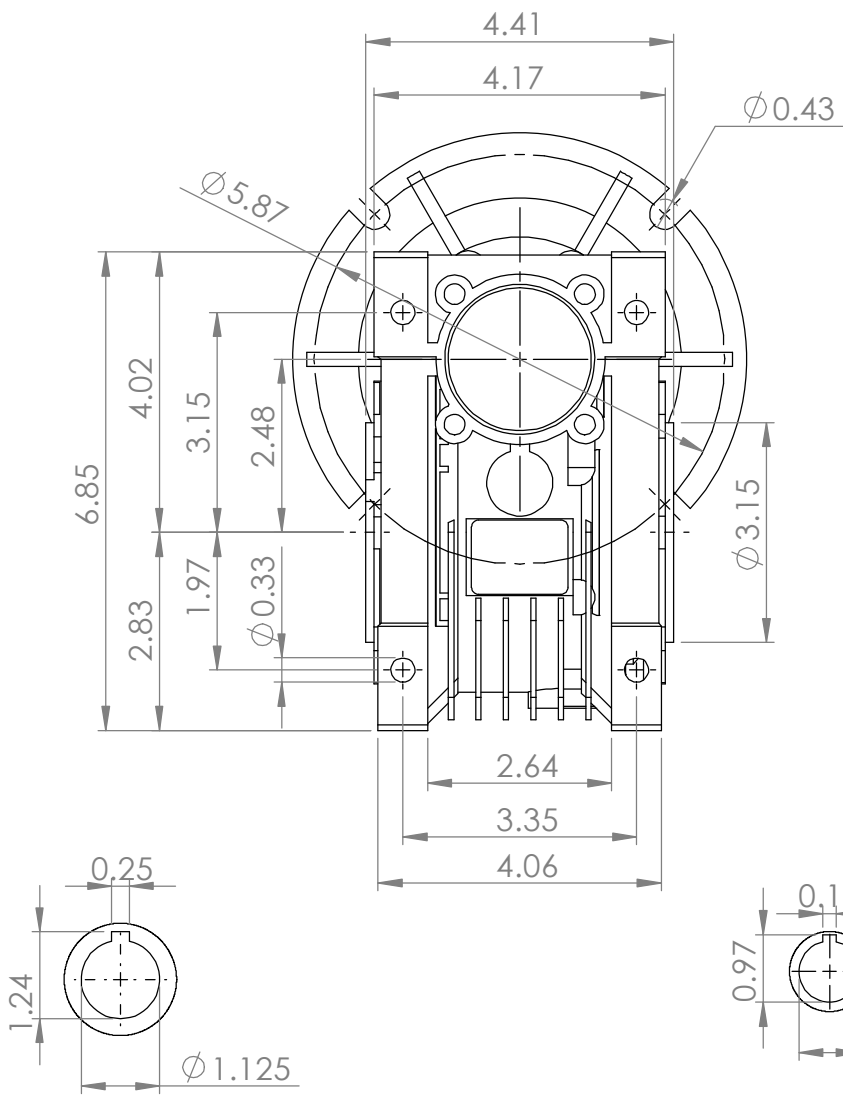
B

C

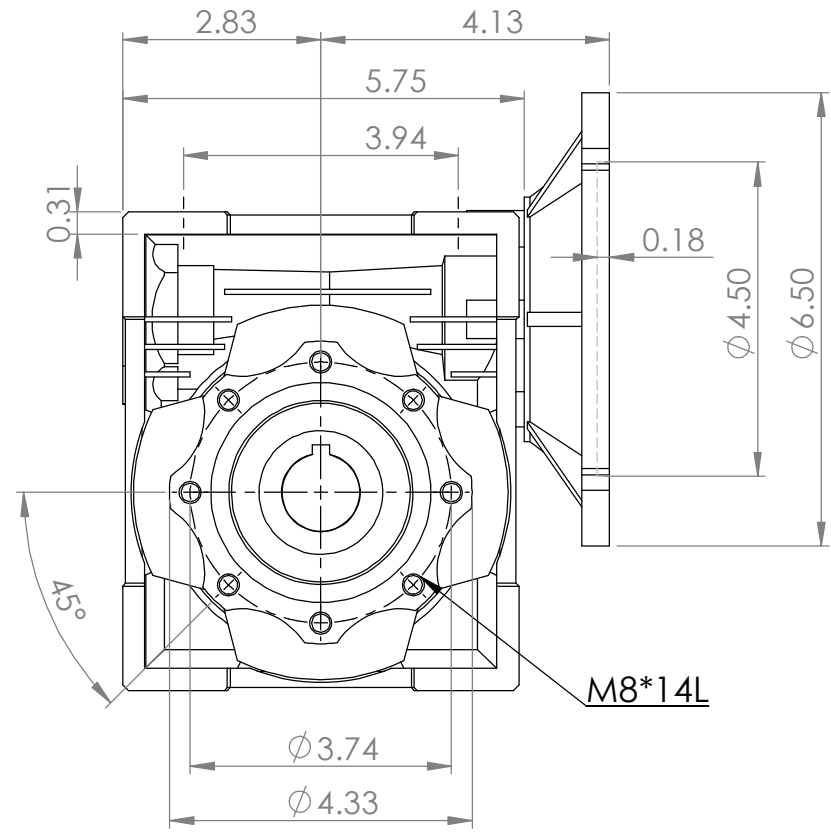
D

E

F



OUTPUT BORE



INPUT BORE

NO.	PART NO.	MATERIAL	PC	RAW MATERIAL	WEIGHT	NOTE
	DWG.	2014.06.21	CHUN-YA	WORLD WIDE		
	DESN.					
	APPR.					
		DATE	NAME	TITLE	CALM63-145TC	
		SCALE	1:2.75	DWG. NO.	CALM63-145TC REV.	

NO.	SECTION	ORIGIN	MODIFICATION	DATE	IN CHARGE

SCABBLE TOLERANCE
 >0 ±0.1
 >6 ±0.2
 >30 ±0.3
 >120 ±0.5
 >315 ±0.8

MACHINING REQUIRED
 ~ NO-MACHINING
 ▽ 50S
 ▽▽ 25S
 ▽▽▽ 6S
 ANG. TOLERANCE ±0.5